

EECS 22: Advanced C Programming

Lecture 16

Rainer Dömer

doemer@uci.edu

The Henry Samueli School of Engineering
Electrical Engineering and Computer Science
University of California, Irvine

Lecture 16: Overview

- Course Administration
 - Reminder: Final course evaluation
- Pointers to Functions
- Dynamic Data Structures
 - Sorted Double-linked List
 - Insertion Sort
 - Example: Student records
 - `Student.h`
 - `StudentList.h`
 - `StudentSort.h`
 - `StudentSort.c`
 - `Makefile`

Course Administration

- Final Course Evaluation
 - Open until end of 10th week (Sunday night)
 - Nov. 20, 2012, through Dec. 9, 2012, 11:45pm
 - Online via EEE Evaluation application
- Mandatory Evaluation of Course and Instructor
 - Voluntary
 - Anonymous
 - Very valuable
- Your feedback is appreciated!

EECS22: Advanced C Programming, Lecture 16

(c) 2012 R. Doemer

3

Pointers to Functions

- In C, a Function...
 - ... is not a variable (can't change its value)
 - ... but has an address in memory (first instruction)
- Pointers to Functions...
 - ... can be declared, defined, and initialized
 - ... can be assigned to suitable pointer variables
 - ... can be passed to and from functions
 - ... can be used to call the referenced function

- Example:

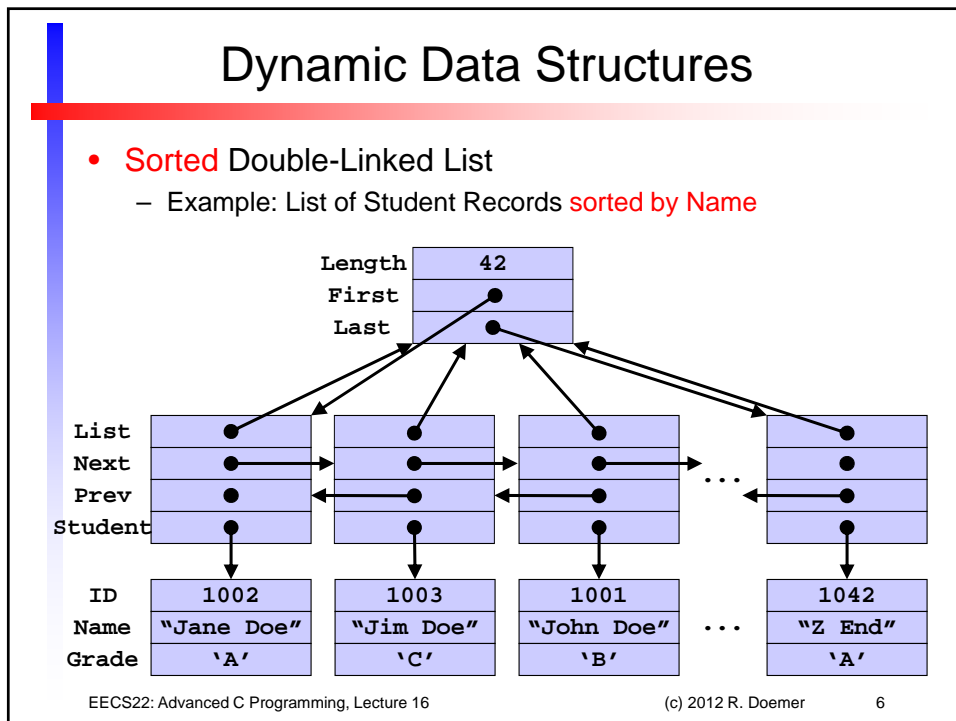
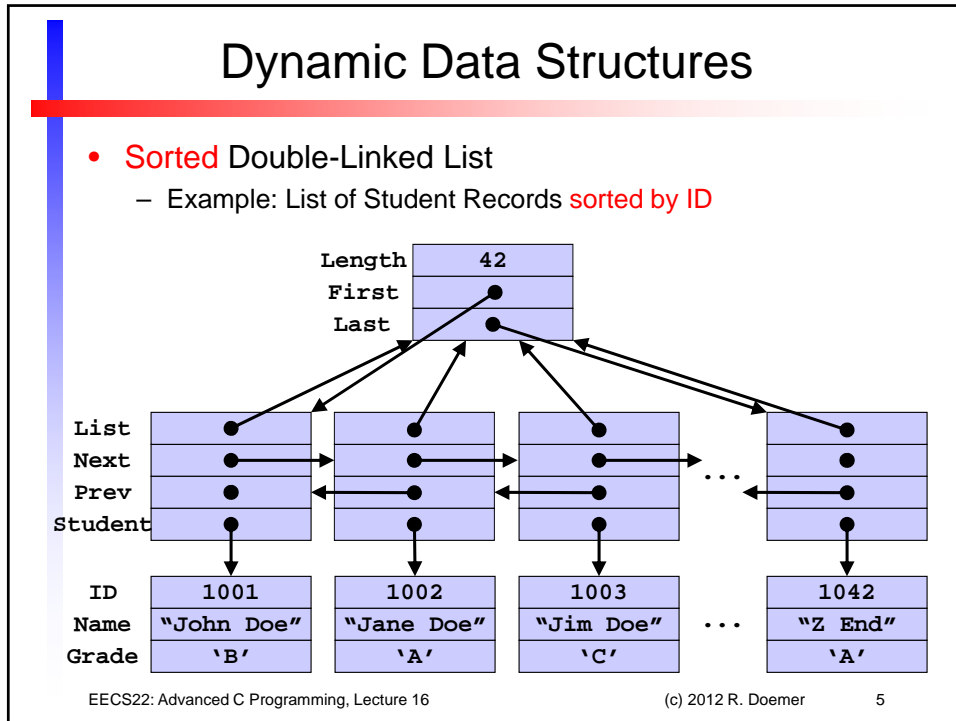
```
int add(int a, int b)
{ return a + b;
}
int multiply(int a, int b)
{ return a * b;
}
typedef int (*OP)(int a, int b);
```

```
int main(void)
{ int n;
  OP op = NULL;
  op = &add;
  n = (*op)(4, 17);
  op = multiply;
  n = op(2, n);
  return n;
}
```

EECS22: Advanced C Programming, Lecture 16

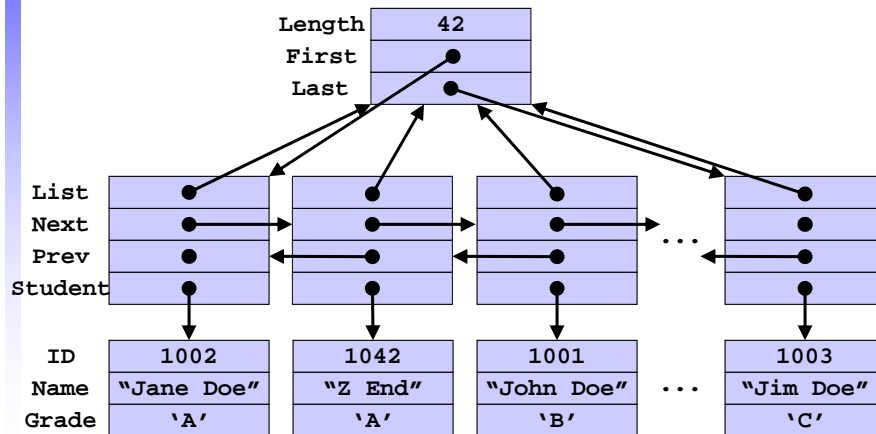
(c) 2012 R. Doemer

4



Dynamic Data Structures

- **Sorted Double-Linked List**
 - Example: List of Student Records **sorted by Grade**



EECS22: Advanced C Programming, Lecture 16

(c) 2012 R. Doemer

7

Dynamic Data Structures

- **Sorting**
 - A very well-studied topic in computer science!
 - Many algorithms exist
 - Bubble Sort
 - Insertion Sort
 - Quick Sort
 - Heap Sort, ...
 - For data stored in a linked list, *Insertion Sort* is a simple and effective solution
 - Start with an empty list
 - Insert items one by one while maintaining the sorted order
 - Traverse the list and compare the item with the list elements as long as the *sorting property* holds
 - Then insert the item as a new list element at this position
 - Searching an item in a sorted list is twice as fast on average!

EECS22: Advanced C Programming, Lecture 16

(c) 2012 R. Doemer

8

Dynamic Data Structures

- Insertion Sort, Algorithm:
 - Start with an empty list
 - Insert items one by one while maintaining the sorted order
 - Traverse the list and compare the item with the list elements as long as the *sorting property* holds
 - Then insert the item as a new list element at this position
- Insertion Sort, Pseudo Code:
 - **InsertionSort** (*Items i...*)
 - Set $L = \text{EmptyList}$
 - For each unsorted item i :
 - » $\text{InsertItem}(L, i)$
 - Return L
 - **InsertItem** (*List L, Item i*)
 - Repeat $e = \text{NextElement}(L)$ until $i < e$;
 - Insert i before e into L

EECS22: Advanced C Programming, Lecture 16

(c) 2012 R. Doemer

9

Dynamic Data Structures

- Insertion Sort, Pseudo Code:
 - **InsertionSort** (*Items i...*)
 - Set $L = \text{EmptyList}$
 - For each unsorted item i :
 - » $\text{InsertItem}(L, i)$
 - Return L
 - **InsertItem** (*List L, Item i*)
 - Repeat $e = \text{NextElement}(L)$ until $i < e$;
 - Insert i before e into L
- To sort for a different criteria, only the comparison changes!

EECS22: Advanced C Programming, Lecture 16

(c) 2012 R. Doemer

10

Dynamic Data Structures

- Insertion Sort, Pseudo Code:
 - **InsertionSort** (Items $i\dots$, *CompareFct*)
 - Set $L = \text{EmptyList}$
 - For each unsorted item i :
 - » *InsertItem* ($L, i, \text{CompareFct}$)
 - Return L
 - **InsertItem** (List L , Item i , *CompareFct*)
 - Repeat $e = \text{NextElement}(L)$ until *CompareFct*(i, e);
 - Insert i before e into L
- To sort for a different criteria, only the comparison changes!
- Instead of implementing many different sort functions, we can make the *comparison* operation a *parameter*!
- Pass a *pointer to the comparison function* to the sort function!

EECS22: Advanced C Programming, Lecture 16

(c) 2012 R. Doemer

11

Dynamic Data Structures

- Example `student.h`

```

/* Student.h: header file for student records */

#ifndef STUDENT_H
#define STUDENT_H

#define SLEN 40

struct Student
{
    int ID;
    char Name[SLEN+1];
    char Grade;
};
typedef struct Student STUDENT;

/* allocate a new student record */
STUDENT *NewStudent(int ID, char *Name, char Grade);

/* delete a student record */
void DeleteStudent(STUDENT *s);

/* print a student record */
void PrintStudent(STUDENT *s);

#endif /* STUDENT_H */

```

EECS22: Advanced C Programming, Lecture 16

(c) 2012 R. Doemer

12

Dynamic Data Structures

- Example `studentList.h` (part 1/2)

```

/* StudentList.h: header file for lists of student records */
#ifndef STUDENT_LIST_H
#define STUDENT_LIST_H

#include "Student.h"

typedef struct StudentList SLIST;
typedef struct StudentEntry SENTRY;

struct StudentList
{
    int Length;
    SENTRY *First;
    SENTRY *Last;
};

struct StudentEntry
{
    SLIST *List;
    SENTRY *Next;
    SENTRY *Prev;
    STUDENT *Student;
};

...

```

EECS22: Advanced C Programming, Lecture 16

(c) 2012 R. Doemer

13

Dynamic Data Structures

- Example `studentList.h` (part 2/2)

```

...
/* allocate a new student list */
SLIST *NewStudentList(void);

/* delete a student list (and all entries) */
void DeleteStudentList(SLIST *l);

/* prepend/append a student at beginning/end of list */
void PrependStudent(SLIST *l, STUDENT *s);
void AppendStudent(SLIST *l, STUDENT *s);

/* insert a student before/after an existing one */
void InsertStudentBefore(SENTRY *e, STUDENT *s);
void InsertStudentAfter(SENTRY *e, STUDENT *s);

/* remove the first/last student from the list */
STUDENT *RemoveFirstStudent(SLIST *l);
STUDENT *RemoveLastStudent(SLIST *l);

/* print a student list */
void PrintStudentList(SLIST *l);

#endif /* STUDENT_LIST_H */

/* EOF */

```

EECS22: Advanced C Programming, Lecture 16

(c) 2012 R. Doemer

14

Dynamic Data Structures

- Example `StudentSort.h` (part 1/2)

```

/* StudentSort.h: header file for sorted student records */
#ifndef STUDENT_SORT_H
#define STUDENT_SORT_H

#include "Student.h"
#include "StudentList.h"

typedef int CMP_F(STUDENT *s1, STUDENT *s2);

/* compare students by ID */
int CompareStudentID(STUDENT *s1, STUDENT *s2);

/* compare students by name */
int CompareStudentName(STUDENT *s1, STUDENT *s2);

/* compare students by grade */
int CompareStudentGrade(STUDENT *s1, STUDENT *s2);

...

```

Dynamic Data Structures

- Example `StudentSort.h` (part 2/2)

```

...

/* sort a student list */
void SortStudentList(SLIST *l, CMP_F *CompareFct);

/* find a student by ID in a sorted list */
STUDENT *FindStudentID(SLIST *l, int ID);

/* find a student by name in a sorted list */
STUDENT *FindStudentName(SLIST *l, char *Name);

/* insert a student into a sorted list */
void InsertStudent(SLIST *l, STUDENT *s, CMP_F *CompareFct);

#endif /* STUDENT_SORT_H */

/* EOF */

```


Dynamic Data Structures

- Example `StudentSort.c` (part 1/8)

```

/* StudentSort.c: sorting student records (by various criteria) */

#include "StudentSort.h"

#include <stdlib.h>
#include <stdio.h>
#include <string.h>
#include <assert.h>

/* compare students by ID */
int CompareStudentID(STUDENT *s1, STUDENT *s2)
{
    assert(s1);
    assert(s2);
    return(s1->ID - s2->ID);
} /* end of CompareStudentID */

...

```

Dynamic Data Structures

- Example `StudentSort.c` (part 2/8)

```

...

/* compare students by name */
int CompareStudentName(STUDENT *s1, STUDENT *s2)
{
    assert(s1);
    assert(s2);
    return(strcmp(s1->Name, s2->Name));
} /* end of CompareStudentName */

/* compare students by grade */
int CompareStudentGrade(STUDENT *s1, STUDENT *s2)
{
    assert(s1);
    assert(s2);
    return(s1->Grade - s2->Grade);
} /* end of CompareStudentGrade */

...

```

Dynamic Data Structures

- Example `StudentSort.c` (part 3/8)

```

...
/* sort a student list (insertion sort) */
void SortStudentList(SLIST *l, CMP_F *CompareFct)
{
    SLIST *l2 = NULL;
    STUDENT *s = NULL;

    assert(l);
    assert(CompareFct);
    l2 = NewStudentList();
    while((s = RemoveFirstStudent(l)))
        { AppendStudent(l2, s);
        }
    assert(l->Length == 0);
    while((s = RemoveFirstStudent(l2)))
        { InsertStudent(l, s, CompareFct);
        }
    assert(l2->Length == 0);
    DeleteStudentList(l2);
} /* end of SortStudentList */
...

```

EECS22: Advanced C Programming, Lecture 16

(c) 2012 R. Doemer

19

Dynamic Data Structures

- Example `StudentSort.c` (part 4/8)

```

...
/* find a student by ID in a sorted list */
STUDENT *FindStudentID(SLIST *l, int ID)
{
    SENTRY *e;
    assert(l);
    e = l->First;
    while(e)
        { if (e->Student->ID == ID)
          { return(e->Student);
          }
          if (e->Student->ID > ID)
            { break;
            }
          e = e->Next;
        }
    return(NULL);
} /* end of FindStudentID */
...

```

EECS22: Advanced C Programming, Lecture 16

(c) 2012 R. Doemer

20

Dynamic Data Structures

- Example `StudentSort.c` (part 5/8)

```

...
/* find a student by name in a sorted list */
STUDENT *FindStudentName(SLIST *l, char *Name)
{
    SENTRY *e;
    int CompVal;
    assert(l);
    assert(Name);
    e = l->First;
    while(e)
        { CompVal = strcmp(e->Student->Name, Name);
          if (CompVal == 0)
              { return(e->Student);
            }
          if (CompVal > 0)
              { break;
            }
          e = e->Next;
        }
    return(NULL);
} /* end of FindStudentName */
...

```

EECS22: Advanced C Programming, Lecture 16

(c) 2012 R. Doemer

21

Dynamic Data Structures

- Example `StudentSort.c` (part 6/8)

```

...
/* insert a student into a sorted list */
void InsertStudent(SLIST *l, STUDENT *s, CMP_F *CompareFct)
{
    SENTRY *e = NULL;
    assert(l);
    assert(s);
    assert(CompareFct);
    e = l->First;
    while(e)
        { if (CompareFct(e->Student, s) > 0)
          { break;
            }
          e = e->Next;
        }
    if (e)
        { InsertStudentBefore(e, s); }
    else
        { AppendStudent(l, s); }
} /* end of InsertStudent */
...

```

EECS22: Advanced C Programming, Lecture 16

(c) 2012 R. Doemer

22

Dynamic Data Structures

- Example `StudentSort.c` (part 7/8)

```

...
#ifdef MAIN
int main(void)
{
    SLIST *l = NULL;
    l = NewStudentList();
    AppendStudent(l, NewStudent(1001, "Jane Doe", 'A'));
    AppendStudent(l, NewStudent(1002, "John Doe", 'C'));
    AppendStudent(l, NewStudent(1000, "New Kid", 'F'));
    AppendStudent(l, NewStudent(1003, "Jane Doe", 'B'));
    AppendStudent(l, NewStudent(1009, "Z End", 'A'));
    AppendStudent(l, NewStudent(1008, "Alice A", 'A'));
    AppendStudent(l, NewStudent(1007, "Bob B", 'B'));
    AppendStudent(l, NewStudent(1006, "Carl C", 'C'));
    AppendStudent(l, NewStudent(1005, "Dave D", 'D'));
    AppendStudent(l, NewStudent(1004, "Eve E", 'F'));

    printf("1. Initial unsorted student list:\n");
    PrintStudentList(l);
}
...

```

EECS22: Advanced C Programming, Lecture 16

(c) 2012 R. Doemer

23

Dynamic Data Structures

- Example `StudentSort.c` (part 8/8)

```

...
printf("2. Student list sorted by name:\n");
SortStudentList(l, CompareStudentName);
PrintStudentList(l);
assert(FindStudentName(l, "John Doe") != NULL);
assert(FindStudentName(l, "No Body") == NULL);

printf("3. Student list sorted by ID:\n");
SortStudentList(l, CompareStudentID);
PrintStudentList(l);
assert(FindStudentID(l, 1005) != NULL);
assert(FindStudentID(l, 1999) == NULL);

printf("4. Student list sorted by grade:\n");
SortStudentList(l, CompareStudentGrade);
PrintStudentList(l);

DeleteStudentList(l);
l = NULL;
return 0;
} /* end of main */
#endif /* MAIN */
/* EOF */

```

EECS22: Advanced C Programming, Lecture 16

(c) 2012 R. Doemer

24

Dynamic Data Structures

- Example **Makefile** (part 1/2)

```
# Makefile: Student Records
# macro definitions
CC = gcc
DEBUG = -g
#DEBUG = -O2
CFLAGS = -Wall -ansi $(DEBUG) -c
LFLAGS = -Wall -ansi $(DEBUG)
MAIN = -DMAIN

# dummy targets
all: Student StudentList StudentSort

test: all
    valgrind Student
    valgrind StudentList
    valgrind StudentSort

clean:
    rm -f *.o
    rm -f Student StudentList StudentSort
...
```

Dynamic Data Structures

- Example **Makefile** (part 2/2)

```
...
# compilation rules
Student.o: Student.c Student.h
    $(CC) $(CFLAGS) Student.c -o Student.o

Student: Student.c Student.h
    $(CC) $(MAIN) $(LFLAGS) Student.c -o Student

StudentList.o: StudentList.c StudentList.h Student.h
    $(CC) $(CFLAGS) StudentList.c -o StudentList.o

StudentList: StudentList.c StudentList.h Student.h Student.o
    $(CC) $(MAIN) $(LFLAGS) StudentList.c Student.o \
        -o StudentList

StudentSort.o: StudentSort.c StudentSort.h StudentList.h Student.h
    $(CC) $(CFLAGS) StudentSort.c -o StudentSort.o

StudentSort: StudentSort.c StudentSort.h StudentList.h Student.h \
    StudentList.o Student.o
    $(CC) $(MAIN) $(LFLAGS) StudentSort.c StudentList.o \
        Student.o -o StudentSort

# EOF
```

Dynamic Data Structures

- Example Session

```
% vi StudentSort.c
% vi Makefile
% make
gcc -DMAIN -Wall -ansi -g Student.c -o Student
gcc -Wall -ansi -g -c Student.c -o Student.o
gcc -DMAIN -Wall -ansi -g StudentList.c Student.o -o StudentList
gcc -Wall -ansi -g -c StudentList.c -o StudentList.o
gcc -DMAIN -Wall -ansi -g StudentSort.c StudentList.o Student.o \
    -o StudentSort
% StudentSort
1. Initial unsorted student list:
Student ID: 1001
Student Name: Jane Doe
Student Grade: A
Student ID: 1002
Student Name: John Doe
...
Student Grade: D
Student ID: 1004
Student Name: Eve E
Student Grade: F
...
```

EECS22: Advanced C Programming, Lecture 16

(c) 2012 R. Doemer

27

Dynamic Data Structures

- Example Session

```
...
2. Student list sorted by name:
Student ID: 1008
Student Name: Alice A
Student Grade: A
Student ID: 1007
Student Name: Bob B
Student Grade: B
Student ID: 1006
Student Name: Carl C
Student Grade: C
Student ID: 1005
Student Name: Dave D
Student Grade: D
...
Student ID: 1000
Student Name: New Kid
Student Grade: F
Student ID: 1009
Student Name: Z End
Student Grade: A
...
```

EECS22: Advanced C Programming, Lecture 16

(c) 2012 R. Doemer

28

Dynamic Data Structures

- Example Session

```

...
3. Student list sorted by ID:
Student ID: 1000
Student Name: New Kid
Student Grade: F
Student ID: 1001
Student Name: Jane Doe
Student Grade: A
Student ID: 1002
Student Name: John Doe
Student Grade: C
Student ID: 1003
Student Name: Jane Doe
Student Grade: B
...
Student ID: 1008
Student Name: Alice A
Student Grade: A
Student ID: 1009
Student Name: Z End
Student Grade: A
...

```

EECS22: Advanced C Programming, Lecture 16

(c) 2012 R. Doemer

29

Dynamic Data Structures

- Example Session

```

...
4. Student list sorted by grade:
Student ID: 1001
Student Name: Jane Doe
Student Grade: A
Student ID: 1008
Student Name: Alice A
Student Grade: A
Student ID: 1009
Student Name: Z End
Student Grade: A
Student ID: 1003
Student Name: Jane Doe
Student Grade: B
Student ID: 1007
Student Name: Bob B
...
Student ID: 1004
Student Name: Eve E
Student Grade: F
%

```

EECS22: Advanced C Programming, Lecture 16

(c) 2012 R. Doemer

30